

**Features & Benefits:**

**Simplicity**

- No moving parts – only contra-rotating motors.
- The simple design makes this unit environmentally safe and user friendly.

**Gentle & Clean Handling System**

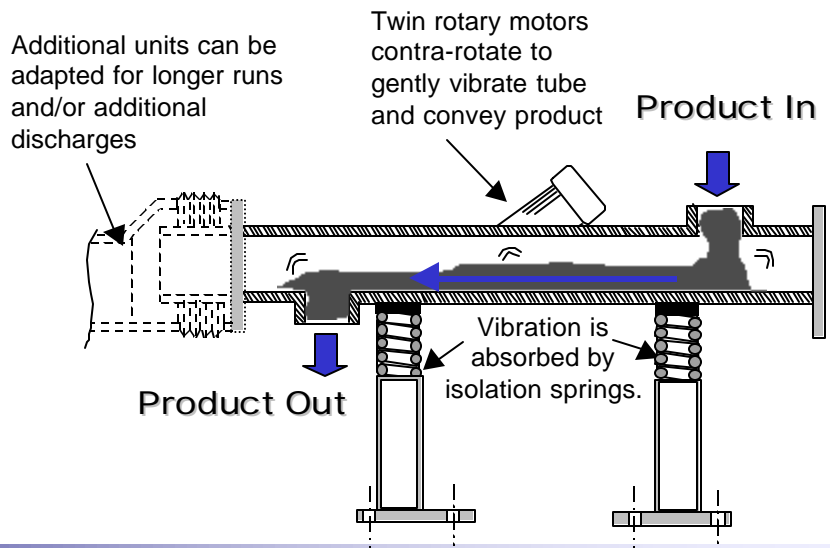
- Product is contained within the tube to eliminate dusting or spillage.
- Low vibration insures product integrity during transfer.

**Minimal Space Requirements**

- Units can be mounted overhead to conserve floor space.
- Units can be mounted on an incline or decline dependent upon product density and flow characteristics.

**Cost Effective Conveying Solution**

- Motors consume very low power for operation.
- Installation costs are kept to a minimum due to the simple design.



Units can be constructed in carbon steel or stainless steel

**Gough Econ, Inc.**

P.O. Box 668583, Charlotte, NC 28266-8583  
Phone: 800.264-6844 Fax: 704.392.8706

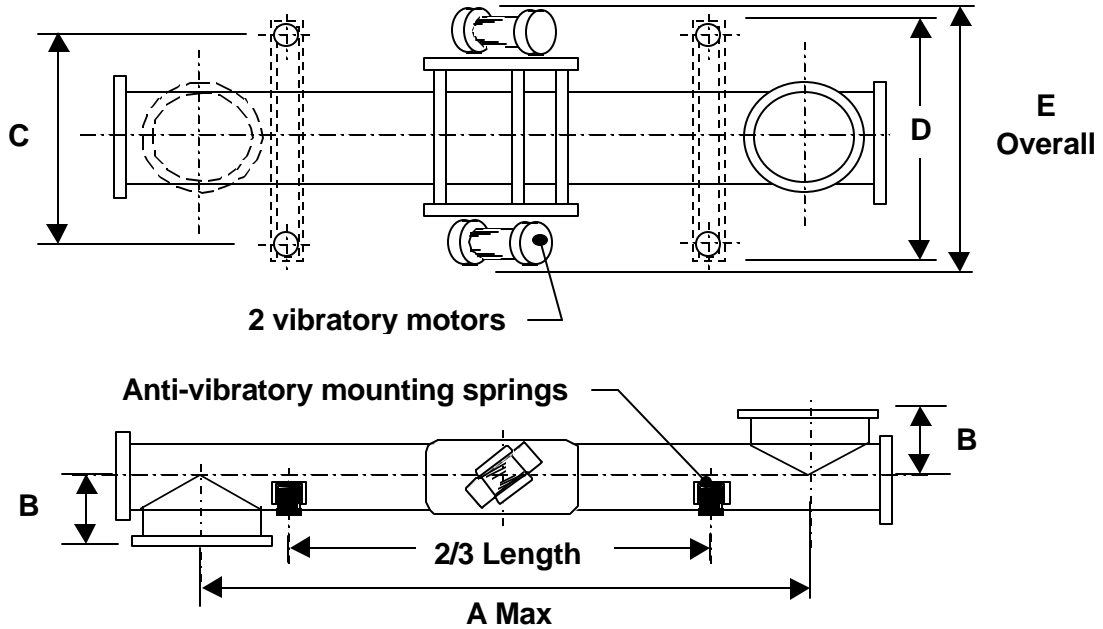
E-Mail: [sales@goughecon.com](mailto:sales@goughecon.com)

Website: [www.goughecon.com](http://www.goughecon.com)

Form: tubconvey.doc

Rev 1

**Technical Data:**



**Dimensions**

DIM	A	B	C	D	E
6" Dia	144"	5"	16"	20"	24"
8" Dia	144"	6"	20"	24"	27"
10" Dia	162"	7"	24"	34"	36"
12" Dia	192"	8"	25"	36"	38"

**Typical Outputs**

Max O/P	8'	14'	16'
6" Dia	22,000 lbs/hr	12,000 lbs/hr	N/A
8" Dia	55,000 lbs/hr	44,000 lbs/hr	N/A
10" Dia	132,000 lbs/hr	88,000 lbs/hr	N/A
12" Dia	165,000 lbs/hr	148,000 lbs/hr	132,000 lbs/hr

Outputs based on dry, free-flowing sand at a bulk density of 100 lbs/ft<sup>3</sup>

**Gough Econ, Inc.**

P.O. Box 668583, Charlotte, NC 28266-8583  
Phone: 800.264-6844 Fax: 704.392.8706

E-Mail: [sales@goughecon.com](mailto:sales@goughecon.com)

Website: [www.goughecon.com](http://www.goughecon.com)

Form: tubconvey.doc

Rev 1